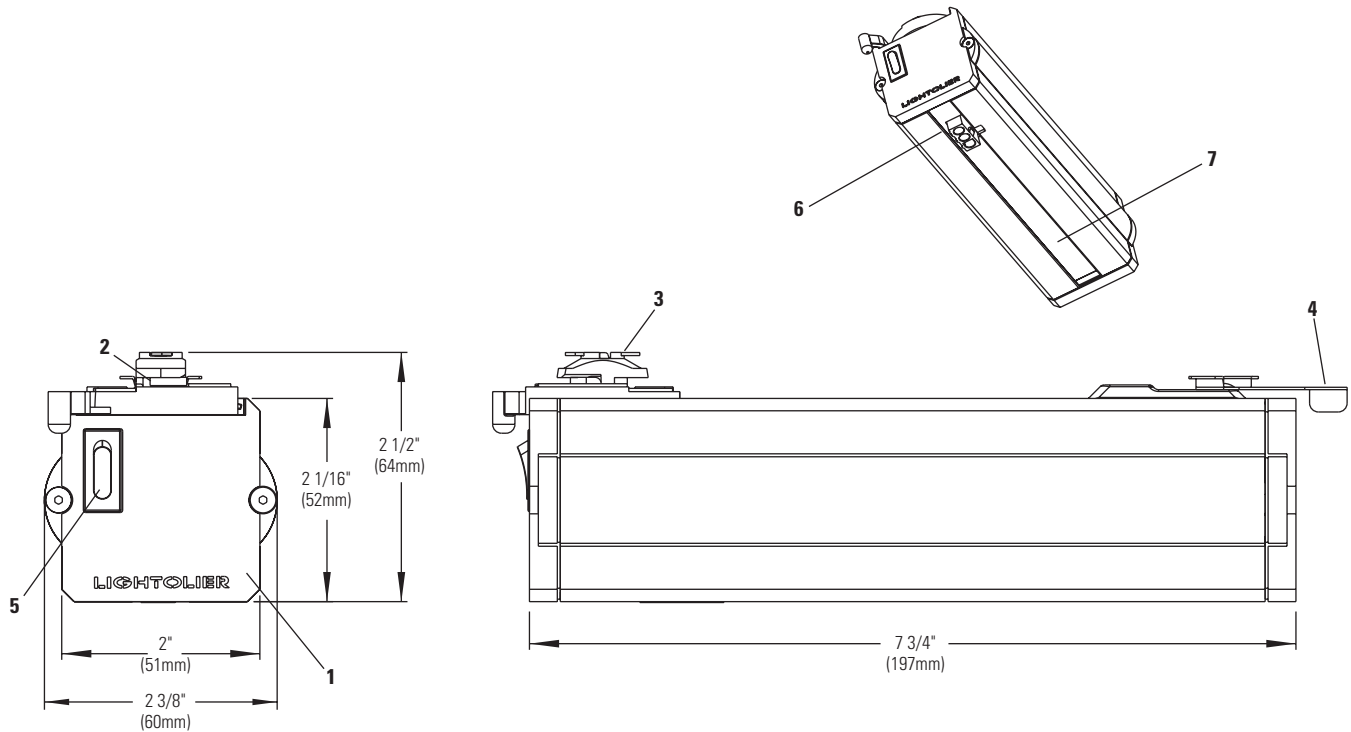




Lytespan® Accent Lighting System **83B70SE**



Ordering Information

Catalog No.	Finishes	Track Mountings	Luminaires	Lamp
83B70SEWH	Matte White	All Lytespan® Track Systems and Multipoint. DO NOT USE with any other mounting accessories, stem mounted Radius® Track, ProSpec® Track systems, or ATOM. Can be wall mounted. NO REMOTE MOUNTING.	Use one of:	70W Ceramic Metal Halide
83B70SEBK	Matte Black		8300 8303 8313	
83B70SEAL	Metallic Aluminum		8304 8314 83W7 8306 8316 8307 8317 8308 8318 83W4 83W6	

Features

- Housing:** .10" thick extruded aluminum body with die cast end caps.
- Track Attachment Fitting:** Molded polycarbonate; rotates into track, integral polarity key guard.
- Brass Contact:** Extends for connection to second circuit in Advent Lytespan track.
- Safety Locking Lever:** Locks and supports module in track.
- On/Off Switch:** Rocker switch to disconnect power to the ballast.
- Power Connector:** 5kv rated, insulated. Accepts power connector from fixture.
- Integral Track Groove:** To mount PowerArc® Modular spots and wall wash fixtures.

Electrical

Electronic Ballast

- Input Voltage:** 120V, 60Hz
Power Factor: High
Input Power: 77W
Max. Input Current: 0.64A
Total Harmonic Distortion: <10%
ANSI Code: M143, M139, M98

Do not use on dimming circuit.

Finish

All painted finishes are baked enamel.

Labels

UL, cUL

Patents

Products shown here are protected by applicable patents and patents pending.

Job Information	Type:
Job Name:	
Cat. No.:	
Lamp(s):	
Notes:	

Lightolier a Genlyte company

www.lightolier.com

631 Airport Road, Fall River, MA 02720 • (508) 679-8131 • Fax (508) 674-4710

We reserve the right to change details of design, materials and finish.

© 2005 Genlyte Group LLC • A0705

LIGHTOLIER®