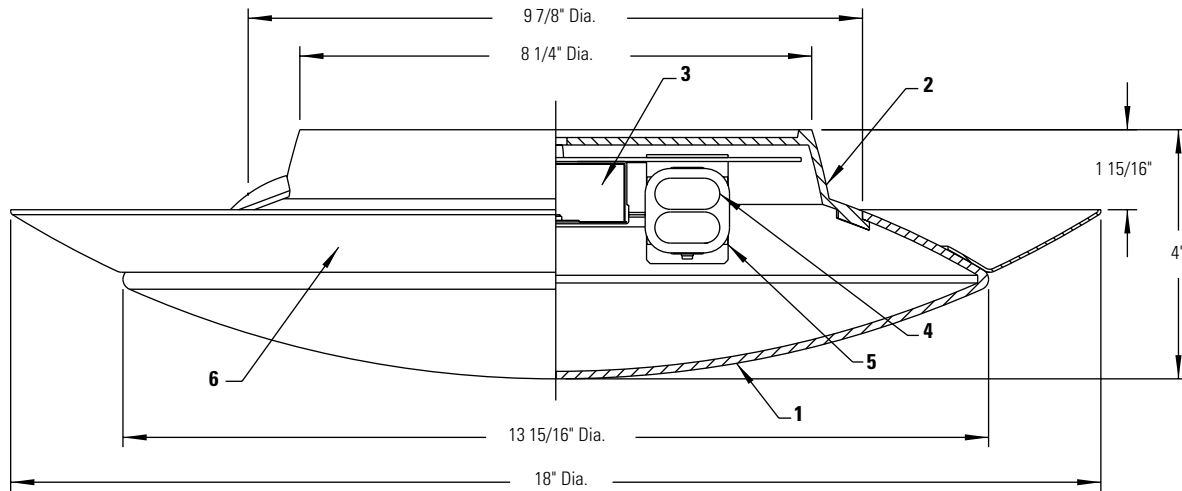




# Specification Decorative Discus™ 6706MS213U



### Ordering Information

Cat. No.	Finish	Wattage	Voltage Lamping		
6700MS213U	Matte Silver	13W 120V-277V	General Electric TF13DBX/* /4P	Osram/Sylvania CF13DD/E/*	Philips PL-C13W/* /A/4P

\*Designates manufacturer's color temperature.

### Features

- Diffuser:** Acrylic, injection molded and bonded into one piece assembly; 0.12" minimum thickness; 70% light transmission. Lights evenly without discernible hot spots. Integral tabs provide "twist-lock" installation; no loose hardware, no tools required.
- Housing:** Polycarbonate, injection molded. Shatter resistant. Integral bosses retain diffuser without loose hardware.
- Ballast:** Electronic; High power factor; Class P. See Electrical/Ballast.
- Lamp:** 13W Quad Tube, Compact Fluorescent (by others).
- Lamp Socket:** Polycarbonate, 4-Pin, G24q-1 base.
- Trim Ring:** 16 gauge die formed aluminum. Brushed aluminum finish.

### Mounting

Ceiling or wall (ADA compliant). Mounts to standard 4" outlet box.

### Options

- + Shatter resistant polycarbonate diffuser. Add TP to end of catalog number.
- + Designates made to order only. Consult factory for lead times.

### Electrical/Ballast

	13W Lamp	
	120V	277V
Total Input Watts:	32	32
Max. Line Current:	.27	.12
Power Factor:	>.98	>.98
Ballast Factor:	.98	.98
THD:	<10%	<10%
Starting Temp:	0°F	0°F

### Labels

UL Listed, Suitable for Damp Locations.

### Job Information

### Type:

**Job Name:**

**Cat. No.:**

**Lamp(s):**

**Notes:**