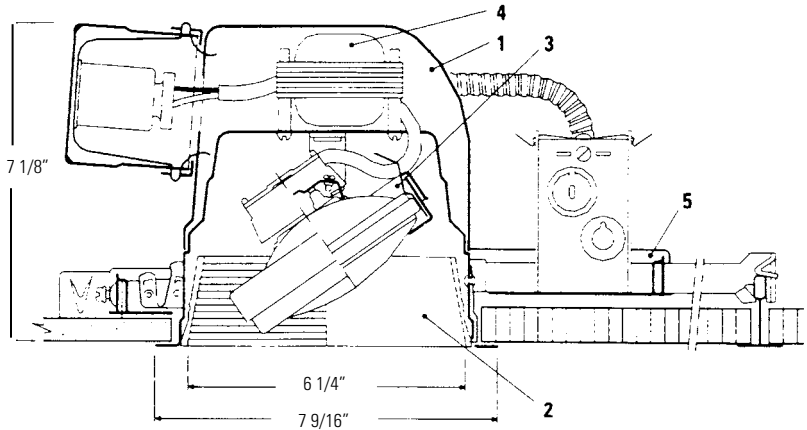




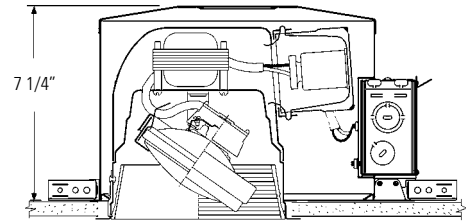
# Lytecaster® Recessed Downlighting **1155**

Page 1 of 2

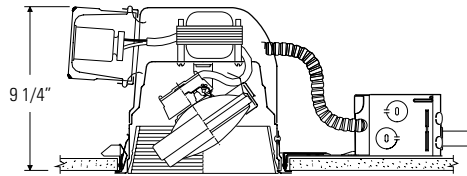
6 3/4" Aperture Low Voltage Adjustable - PAR36 Reflector Trim 35°



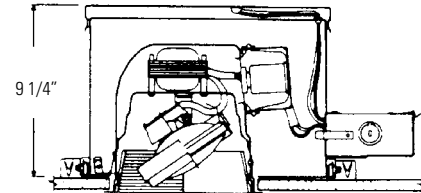
**1155/1102P1 Series**  
Standard



**1155/1104ICX/N**  
**LyteSeal™ AirSeal®**  
Insulated Ceiling



**1155/1103R**  
**LyteSeal™ Non-IC**  
Remodeler Ring



**1155/1100DEEP IC Series**  
Insulated Ceiling

Complete Fixture consists of Reflector Trim & Frame-In Kit. Select each separately.

Reflector Trim	Frame-In Kit — See Individual Frame-In Kit Specification Sheets			
	Incandescent			
	Frame-In Kit	Ceiling Type	Lamping	Height
<b>1155</b> Matte Black Step Baffle	<b>1102P1</b>	Non-IC	25-50W PAR36, 12V	7 1/8"
<b>1155WH</b> Matte White Step Baffle	<b>1103R</b>	Non-IC Remodeler	25W PAR36, 5.5V	7 1/8"
<b>1163</b> Specular Gold Alzak® Cone	<b>1100IC</b>	IC	25-50W PAR36, 12V	7 5/16"
<b>1164</b> Specular Clear Alzak® Cone	<b>1100DICM</b>	Deep IC	25W PAR36, 5.5V	9 1/4"
	<b>1100DAICM</b>	Deep AirSeal® IC		9 1/4"
	<b>1104ICX/N</b>	AirSeal® IC		7 1/4"

## Features

- Housing:** Hydroformed aluminum, .040" thick (18 ga.); matte white trim flange.
- Baffle or Cone:** Matte black or white step baffle of die cast aluminum with stepped conical surface for low brightness. Or hydroformed aluminum cone, .040" minimum thickness with satin anodized or specular Alzak® finish in colors noted above.
- Lampholder Assembly:** Provides 358° horizontal rotation and 0° to 35° vertical adjustment. Spring lamp clips allow snap-on/snap-off lamping.
- Transformer:** Magnetic; 120V primary, 5.5V or 12V secondary operation; built-in voltage selector switch. Removable from below.
- Frame-In Kit:** See Frame-In Kit specification sheets for more details.

## Dimming Information

**Dimming Controls:** use only dimmers specifically designed for use with magnetic transformers, like Lightolier Onset®, Sunrise® series LV or VA dimmers, or any Lightolier Controls dimming system. Low voltage fixtures may produce audible sound when used with dimmers, which may be objectionable in acoustically critical areas.

## Options & Accessories

- Lytegems®:** See 1300 Series or 1400 Series Specification sheets.
- Extra Wide Flange Trim Ring:** **1954** - 8 5/8" O.D.
- Retaining Clips:** **1955** - For Installation in Existing Ceiling

## Labels

UL (Suitable for Damp Locations), I.B.E.W.

**US Patent Numbers: 4,313,154; 4,327,403; 5,045,985**  
Other US & Foreign Patents Pending.

Job Information	Type:
<b>Job Name:</b>	
<b>Cat. No.:</b>	
<b>Lamp(s):</b>	
<b>Notes:</b>	

Lightolier a Genlyte company [www.lightolier.com](http://www.lightolier.com)  
631 Airport Road, Fall River, MA 02720 • (508) 679-8131 • Fax (508) 674-4710  
We reserve the right to change details of design, materials and finish.  
© 2006 Genlyte Group LLC • B1006

**LIGHTOLIER®**

