

Type:
Job:
Transformer Catalog number:

Transformer Options:

Approvals:

Transformer

Ordered Separately from Transformer

Date:
Page: 1 of 4

Specifications

Enclosure: Formed 16 ga. stainless steel enclosure with integral hinge. Cover is secured with two stainless steel screws. A through hole is provided in the bottom edge for a padlock (by others). 1/2" knockouts on each side of the enclosure are provided for hardwiring or accessory photocell mounting.

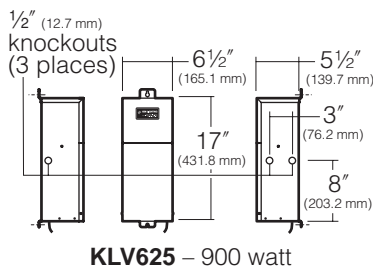
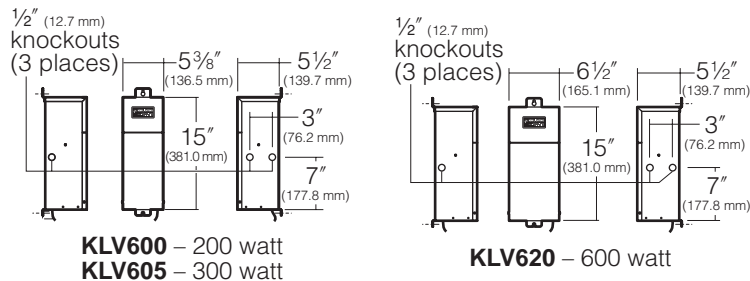
Transformer: Core and coil type fully epoxy encapsulated. Output is multi-tap 12V / 13V / 14V / 15V. The 200 and 300-watt units have single circuit output, the 600-watt unit has two circuits for output. Variable taps provide flexibility in system design with the 12 volt tap for fixtures near the transformer location and higher voltages for more remote fixtures.

Terminal Block: 80-amp euro-style terminal block.

Circuit Breaker: 25 amp magnetic circuit breaker (1) per circuit.

Cord: Six foot, heavy duty outdoor power cord is provided and installed.

Certification: UL Listed to U.S. and Canadian safety standards for wet locations. Fixture manufacturer shall employ a quality program that is certified to meet the ISO 9001:2000 standard.



Hubbell
Lighting, Inc.



KIM LIGHTING RESERVES THE RIGHT TO CHANGE SPECIFICATIONS WITHOUT NOTICE.



Above Grade Transformers

ORDERING INFORMATION

Cat. No.	Description	Input	Cord
<input type="checkbox"/> KLV600	200 watt (1) circuit	120V	#18-2 SJTW
<input type="checkbox"/> KLV605	300 watt (1) circuit	120V	#18-2 SJTW
<input type="checkbox"/> KLV620	600 watt (2) circuits	120V	#18-2 SJTW
<input type="checkbox"/> KLV625	900 watt (3) circuits	120V	#12-3 SJTW
<input type="checkbox"/> No Option			

NOTE: Output wattage is not to exceed 25 amps on each circuit. Weather conditions must be considered when determining load on transformers, hot weather areas should reduce the output wattage to prevent heat build-up on circuit breakers. The voltage at each fixture must not exceed 12 volt. Load and distance must be considered when determining which voltage tap to use. A good maintenance program is required to replace lamps as they burn out to prevent over-voltage of remaining lamps.

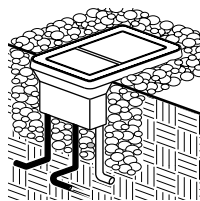
Transformer Accessories (Ordered separately from fixture)

Cat. No.	Description
<input type="checkbox"/> KLV-PC1	Photocell , Direct mount to enclosure knockout in right-hand side of transformer enclosure.
<input type="checkbox"/> KLV-PC2	Photocell , Remote mount with 10' cord for installation in any 1/2" NPT cover plate (by others).
<input type="checkbox"/> KLV-TC24	Plug-in Time Clock , Plugs into receptacle provided in transformer enclosure.

Type:

Job:

Page: 2 of 4



In-grade Transformers

Specifications

Enclosure: Cast aluminum housing and cover, full silicone gasket, cover fastens with ten stainless steel allen head screws. Internal heat barrier between transformer and components. Anti-siphon chamber for 12 volt connection.

Transformer: Core and coil, wired to terminal block.

Terminal Block: Black phenolic with brass connectors.

Circuit Breaker: Mounted on secondary side of transformer to prevent overloading. **(KLV525)** 1-30A, **(KLV530)** 2-30A, mounted to terminal block plate.

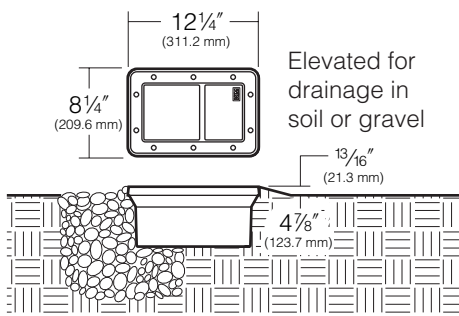
Conduit Taps: Two $\frac{3}{4}$ " NPT in bottom. Splice compartment volume—29 cubic inches, approved for through wiring.

Finish: Super TGIC thermoset polyester powder coat paint applied over a titanated zirconium conversion coating. Standard colors are Black **(BL)**, Dark Bronze **(DB)**, and Verde Green **(GR)**.

Amps: 250W—2.5, 500W—5.2.

NOTE: In-grade Transformers must be conduit fed for the 120 volt or 277 volt input. They can be set directly into soil or gravel. It is recommended that transformers be slightly elevated to encourage water drainage away from the housing.

Certification: UL Listed to U.S. and Canadian safety standards for wet locations. Fixture manufacturer shall employ a quality program that is certified to meet the ISO 9001:2000 standard.



ORDERING INFORMATION

Cat. No.	Description	Input	Finish
<input type="checkbox"/> KLV525BL	250 watt In-grade Transformer	120V	Black
<input type="checkbox"/> KLV525DB	250 watt In-grade Transformer	120V	Dark Bronze
<input type="checkbox"/> KLV525GR	250 watt In-grade Transformer	120V	Verde Green
<input type="checkbox"/> KLV530BL	500 watt In-grade Transformer	120V	Black
<input type="checkbox"/> KLV530DB	500 watt In-grade Transformer	120V	Dark Bronze
<input type="checkbox"/> KLV530GR	500 watt In-grade Transformer	120V	Verde Green
<input type="checkbox"/> KLV526BL	250 watt In-grade Transformer	277V	Black
<input type="checkbox"/> KLV526DB	250 watt In-grade Transformer	277V	Dark Bronze
<input type="checkbox"/> KLV526GR	250 watt In-grade Transformer	277V	Verde Green
<input type="checkbox"/> KLV531BL	500 watt In-grade Transformer	277V	Black
<input type="checkbox"/> KLV531DB	500 watt In-grade Transformer	277V	Dark Bronze
<input type="checkbox"/> KLV531GR	500 watt In-grade Transformer	277V	Verde Green
<input type="checkbox"/> No Option			

NOTE: The total wattage of all fixtures connected to one transformer must not exceed the total wattage capacity of that transformer.



KIM LIGHTING RESERVES THE RIGHT TO CHANGE SPECIFICATIONS WITHOUT NOTICE.

Type:
Job:
Cable Catalog number:

Approvals:

Cable

Page: 3 of 4

Specifications

The greatest benefit of installing a low voltage lighting system is the ability to conceal the flexible electrical cable directly under as little as 6" of soil cover, without the need for conduits or raceways.

Voltage drop for KLV500 series transformers is a function of cable size, circuit length and connected fixture wattage. In order to attain good lumen output, it is recommended that each fixture be provided a minimum of 10 volts. Use the chart below to estimate the cable size required and maximum circuit distance allowable to maintain 10 volts to the farthest connected fixture on a cable run.

Copper stranded landscape cable, black, UL recognized.

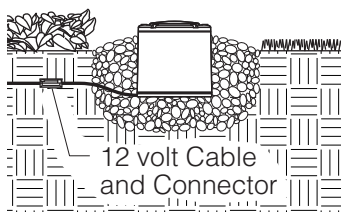
150 WATT TRANSFORMER				
Total Fixture Watts	Cable Size	50 watt	100 watt	150 watt
Max. Circuit Distance	#8-2	300'	200'	125'
	#12-2	175'	90'	60'

250 WATT / 500 WATT ¹ / 1000 WATT ² TRANSFORMERS					
Total Fixture Watts	Cable Size	100 watt	150 watt	200 watt	250 watt
Max. Circuit Distance	#8-2	250'	200'	150'	100'
	#12-2	100'	75'	60'	50'

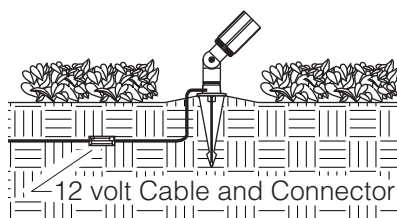
¹ 500 watt transformer consists of (2) 250 watt branches, requiring a minimum of (2) branch circuit cable runs.

² 1000 watt transformer consists of (4) 250 watt branches, requiring a minimum of (4) branch circuit cable runs.

Cable Installed In-grade
In-grade Mount



Cable Installed In-grade
Kim Accent or Path Light



KIM LIGHTING RESERVES THE RIGHT TO CHANGE SPECIFICATIONS WITHOUT NOTICE.

ORDERING INFORMATION

Cat. No. Description

- KLV427** 500' – #12-2 12 Volt Cable
- KLV432** 500' – #8-2 12 Volt Cable
- No Option**



KLV427 #12-2 Cable



KLV432 #8-2 Cable

NOTE: See pages 3 - 4 for Variable Voltage Transformers which provide a 12 volt tap for fixtures near the transformer, and higher voltages for more remote fixtures.

Type:
Job:
Connector Catalog number:

Approvals:

Connector

Page: 4 of 4

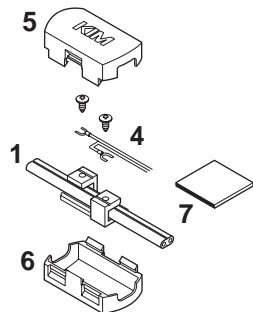
Specifications

Connectors may be buried, installed at grade, or surface mounted. They are designed to eliminate the common problem of corrosion and oxidation of the connections, which can cause power interruption. Injection molded in black Valox®, the two-piece connectors have stainless steel screws.

The standard sealed connector, **KLV410**, is for connecting one fixture to the cable. The sealed branch connector, **KLV411**, is for branching the main cable into two runs.

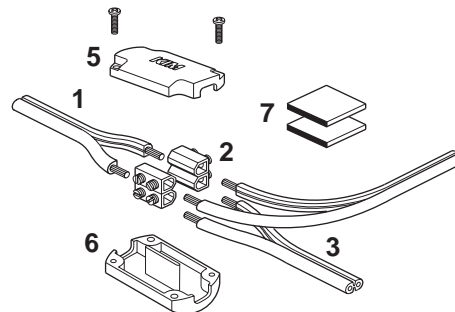
The standard connector employs piercing screws, and the branch connector utilizes compression type connectors and brass bussbars.

All connections are totally sealed and waterproofed with the dielectric mastic provided. Maximum design flexibility is assured since fixtures can be easily added or relocated by installing a new sealed connector.



KLV410
Sealed Connector

1. Main 12 volt cable #8 or #12
2. Brass buss bars
3. Branch cables
4. Fixture cable with fork connectors



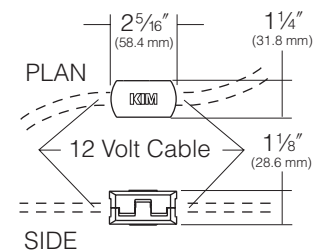
KLV411
Sealed Branch Connector

5. Connector top
6. Connector bottom
7. Dielectric mastic

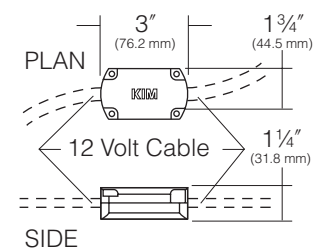
ORDERING INFORMATION

Cat. No. Description

- KLV410** Sealed Connector
- KLV411** Sealed Branch Connector
- No Option**



KLV410 Sealed Connector



KLV411 Sealed Branch Connector