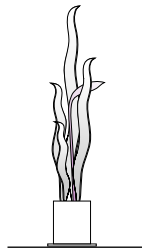


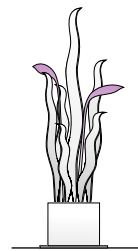
BYBLIS TR 5

L E U C O S[®]

INSTALLATION INSTRUCTIONS / LEUCOS USA

BYBLIS TR 5 - BYBLIS TR 8

BYBLIS TR 8



A1 Enclosed



One installer



Save instructions

Revised
14 .11. 2006**WARNING:**

- Disconnect power before installation. - Fixture to be installed by a certified electrician. - Install in accordance with the national and local electrical codes.

ATTENTION IN CASE OF DAMAGE OF THE FLEXIBLE SUPPLY CABLE, SUBSTITUTION SHOULD BE CARRIED OUT BY THE CONSTRUCTOR, CLIENT SERVICE OR QUALIFIED PERSONNEL, IN ORDER TO AVOID DANGER.

1-FIG. 1-2: Lean the base on the floor and then place the bulbs into the lampholders.

BYBLIS TR5: The dichroic bulb GU10 into the middle socket "E" and the fluorescent bulbs into the four side sockets "D":

BYBLIS TR8: The four dichroic bulbs GU10 into the middle sockets "F" and the round fluorescent tube into socket "B". Take care to clamp the tube also inside the plastic clip "C." Take care to make switch on test prior to proceed with the installation.

2- FIG.1-2: Place the diffuse "G" as shown, and take care to put it right in the center referring to the middle structure. Take care to place the red label upward as shown.

3-FIG.1-2: Place the frame "H" on the border top line of the diffuser, as shown, and take great care that the four middle flaps M might be correctly placed outside the border of the diffuser.

4-FIG 1-2: Place the pierced tempered glass "I", inside the frame "H", and take care to match the four middle holes W with the below threaded rods "L".

5-FIG. 1-2: Lock glass "I" by tightening the four provided special crews "Z" on the corresponding threaded tops of the rods "L". Take care to tighten moderately.

6-FIG.3 : Place leaves and bulbs inside the provided holes of glass "I", following a needed scheme.

PLEASE NOTE: In order to avoid accidental breakages due to the dilatation of the components, we suggest to switch off and wait till the structure be cold prior to make removal or rotation of leaves and bulbs.

**BYBLIS TR 5 - max 4x9W-120V type twin tube2G7
& max 1x50W 120V Gu10 Twisline**



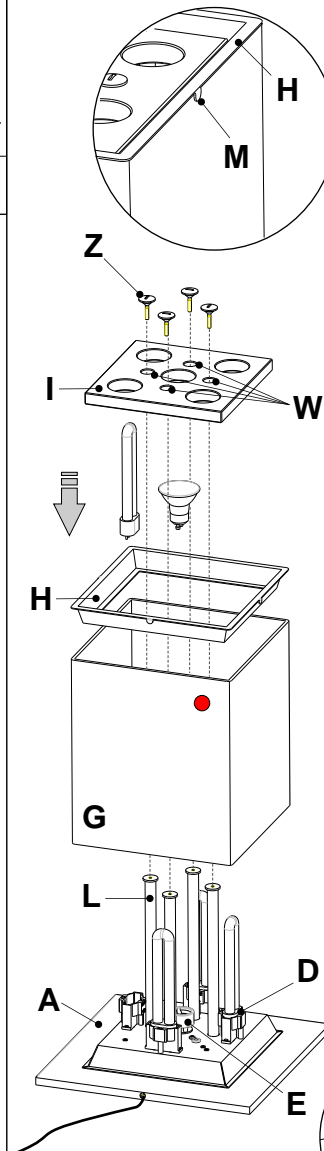
**BYBLIS TR 8 - max 1x22W-2GX13 Type FC9T5
& 4x50W 120V Gu10 Twisline**



double switching

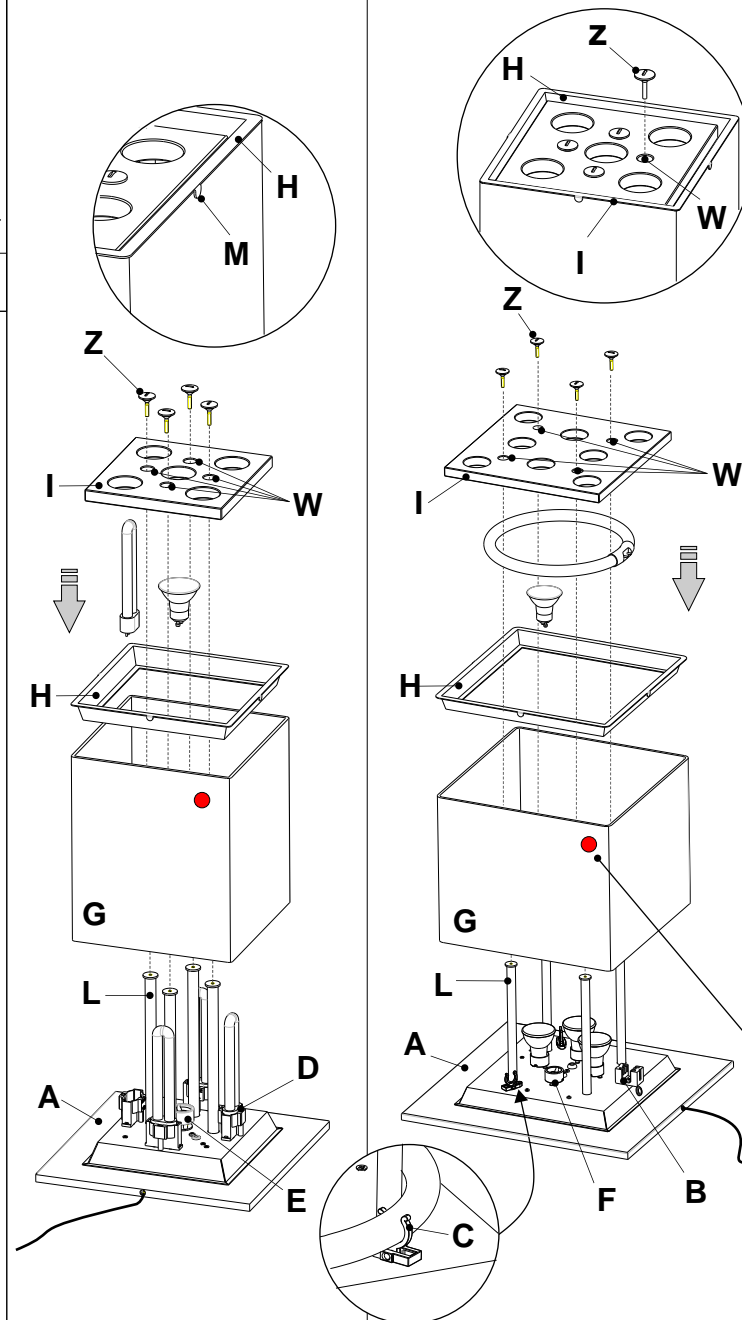
For additional information please contact your local dealer or
LEUCOS U.S.A. at: tel. (732) 225-0010; fax (732) 225-0250

Fig. 1



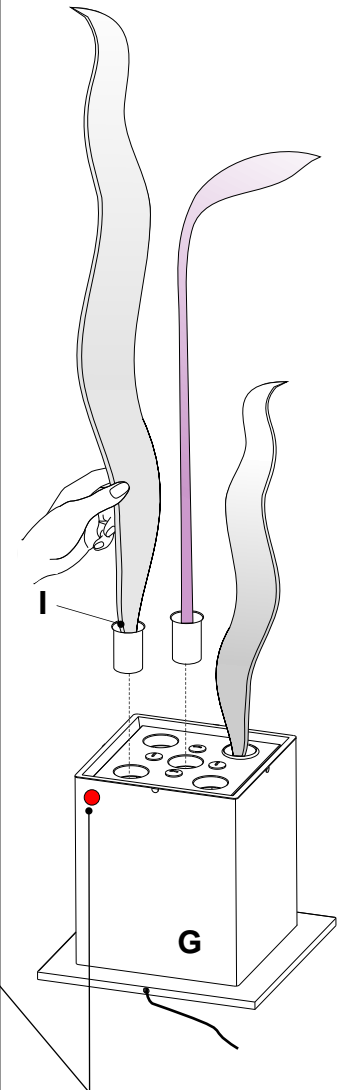
BYBLIS TR 5

Fig. 2



BYBLIS TR 8

Fig. 3



PLACE THE DIFFUSER WITH
THE RED LABEL UPWARD